

# The New TOTSUPURA® Drive System 新型双十字槽驱动系统

EJOTTOTSUPURA®



## 双十字槽驱动系统的优点

- ◆ 批头更容易对准驱动槽，组装更容易效率更高
- ◆ 高扭矩的传递
- ◆ 与批头更紧密贴合，不需要批头磁化
- ◆ 和普通十字槽兼容
- ◆ 批头磨损小，可节省成本

## Benefits of the TOTSUPURA® Drive System

- ◆ *Good bit centering (easy finding between bit and recess) , increased productivity /workability*
- ◆ *High torque transfer*
- ◆ *Stick fit effect ,no magnetized bits necessary*
- ◆ *Compatibility with cross recess*
- ◆ *Less bit wear, decreased tool costs*

## 十字槽内部驱动设计

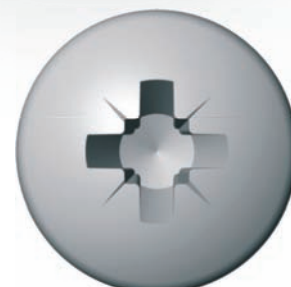
*Cross Recess types (in extracts)*



菲利普十字槽驱动  
*Phillips Drive*

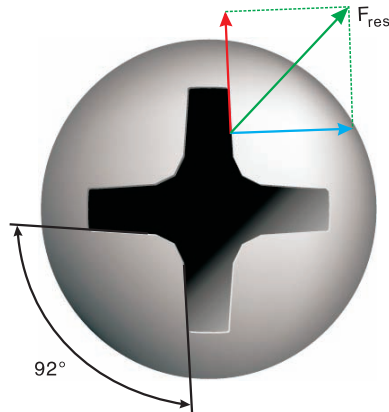


双十字槽驱动  
*Totsupura Drive*



米字槽驱动  
*Pozi Drive*

## 翼角设计—与菲利普十字槽相比 Wing angles — comparison with Phillips



菲利普十字槽  
Phillips cross recess

### Tightening Process 拧紧步骤

The width (n) of the 4 wings is narrow

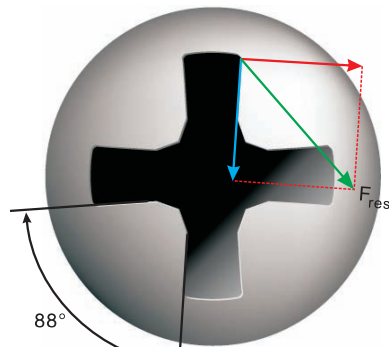
十字槽四个翼的端部窄

an outward force acts

during the tightening process  
在拧紧过程中产生一个向外的作用力

insufficient torque transfer

扭矩传递不充分



双十字槽  
Totsupura recess

The width (n) of the 4 wings is wide

十字槽四个翼的端部宽

an inward force acts

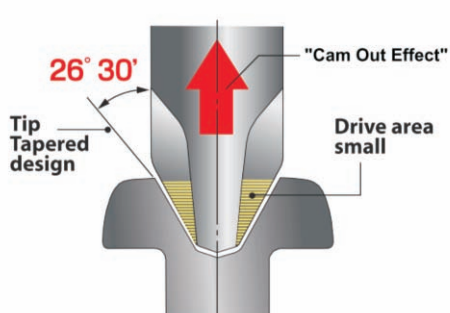
during the tightening process  
在拧紧过程中产生一个向内的作用力

high torque transfer

扭力传递更高

## 槽型设计—与菲利普十字槽相比 Cross design — comparison with Phillips

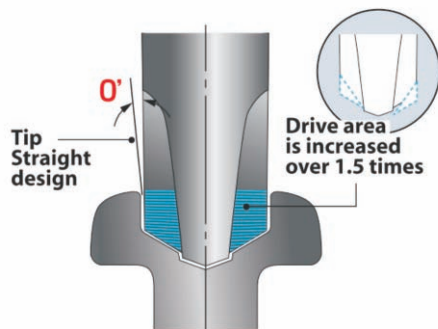
### Conventional Phillips screw



与菲利普螺丝相比，双十字槽螺丝优点如下：

- ◆ 产品表面不易受破坏，从而避免生锈的问题的发生
- ◆ 应用过程中无微小物质残留
- ◆ 不需更换螺丝和返工重做
- ◆ 更高的组装效率
- ◆ 如需维修时，可以用普通十字批头

### Totsupura Screw<sup>®</sup>



Comparison with Phillips screw, the below are benefits of Totsupura screw:

- ◆ no surface destruction (corrosion problems)
- ◆ no micro particle in the application (cleanliness)
- ◆ no screw change / no reworking
- ◆ higher productivity
- ◆ no tool change in case of service and repair necessary